

MIXON

CAR CARE

EQUIPMENT

for TORNADOR



cc.mixon.ua



DRY CLEANER

TORNADOR M-2010

It is recommended to use the universal interior cleaner M-760

A professional dry cleaning machine that allows you to clean any surface - textiles, plastic, leather, rubber, etc. - as quickly and efficiently as possible with minimal detergent consumption. Tornador M-2010 allows you to easily clean even the most inaccessible places - air ducts, joints and bends, relief surfaces, etc.

The machine can be used both for localized removal of dirt and for complete dry cleaning of the interior. The Tornador M-2010 has an integrated pressure control valve, which automatically reduces or increases the volume of the output composition or air, depending on the distance of the nozzle from the treated surface. After treatment, the surface remains practically dry.

The device has two positions:

1. Supply of composition under air pressure - detergent solution under pressure is supplied to contaminated surface.
2. Air supply, which allows you to «knock out» dirt from the treated surface - the effect of a «tornado» created by a spinning spout inside the neck of the device. Dirt removed from the surface settles in the neck, which is cleaned by simple immersion in water and air supply.

Technical specifications:

- Free rotation speed: **3000 rpm.**
- Air flow: **75 L/min.**
- Composition consumption: **3.6 L/h.**
- Air inlet: **1/4».**
- Optimal air pressure: **6.2 bar.**
- Weight: **0.67 kg.**

Instructions and recommendations:

1. Use only recommended cleaning agents - do not use detergents containing chlorine.
2. Avoid using excessively high air pressure - pressures over 9 bar significantly accelerate the wear of the neck and inner tubes.
3. Before starting work, the surface to be treated must be thoroughly vacuumed.
4. Do not leave the unit connected to the air line - use the convenient quick release coupling to disconnect when work is finished or a break is required.
5. In order to avoid uncontrolled spillage of the working solution during a break in the unit's operation, the chemistry supply valve should be turned to the horizontal position.
6. During operation it is necessary to keep the inner surface of the neck clean. In case of contamination, lower the neck 5-7 cm into a container with water and remove the dirt by two-three short presses on the trigger.
7. After completion of all work, unscrew the neck and thoroughly rinse all working surfaces and elements with clean water.
8. The installation of an oil trap in the air line is recommended.

MACHINE SPARES

TORNADOR M-2010



Nº	Item number	Name
2	T-102A	Plastic nozzle for M-2010.
3	MT-105U	Flexible pipe nozzle assembly
4	MT-106U	Handle extension for M-2010. M-2040.
5	MT-107U	Trigger holder
6	MT-108U	Trigger holder screw holder screw
7	MT-109U	Tornador trigger universal
8	MT-110U	Outer body screw
9	MT-111U	Body connector screw
10	MT-112U	Inner bushing universal
11	MT-113U	Gasket universal bushing
12	MT-114U	Valve stem universal
13	MT-115U	Valve spring universal
14	MT-116U	Inner thin tube with thread lock
15	MT-117U	Air reversing tap universal
16	MT-118U	Bottom universal tap connector screw.

Nº	Item number	Name
17	MT-119U	Tank cap with hole universal
18	MT-120U	Tank cap gasket
19	MT-121U	Connecting screw nut
20	MT-122U	Plastic tank inner tube
21	MT-123U	Plastic tank
22	MT-124A	Bottom air adapter. handle
23	MT-125U	Two threaded body screw universal
24	MT-126U	Body screw gasket universal
25	MT-127U	Gasket sleeve
26	MT-128U	Inner screw O-ring
27	MT-129U	Plastic nozzle O-ring.
28	MT-130U	Plastic body gasket universal
29	MT-132U	Metal tank ball
30	MT-131U	Internal valve stem gasket
31	MT-120U	Tank cap gasket universal.

DRY CLEANER

TORNADOR M-2020

It is recommended to use the universal interior cleaner M-760

Professional dry cleaner, allowing, with a minimum consumption of detergent, to cleanse any surfaces as quickly and efficiently as possible - textiles, plastic, leather, rubber, etc. The main feature of this model is increased wear resistance. Tornador M-2020 allows you to easily clean even the most inaccessible places - air ducts, joints and bends, embossed surfaces, etc. The device can be used both for local removal of dirt and for complete dry cleaning of the cabin.

The Tornador M-2020 integrates a pressure control valve that automatically reduces or increases the volume of the exhaust composition or air depending on the distance of the nozzle from the treated surface. After treatment, the surface remains practically dry.

The device has two positions:

1. Supply of composition under air pressure - detergent solution under pressure is supplied to contaminated surface.
2. Air supply, which allows you to «knock out» dirt from the treated surface - the effect of a «tornado» created by a spinning spout inside the neck of the device. Dirt removed from the surface settles in the neck, which is cleaned by simple immersion in water and air supply.
2. Avoid using excessively high air pressure - pressures over 9 bar significantly accelerate the wear of the neck and inner tubes.
3. Before starting work, the surface to be treated must be thoroughly vacuumed.
4. Do not leave the unit connected to the air line - use the convenient quick release coupling to disconnect when work is finished or a break is required.
5. In order to avoid uncontrolled spillage of the working solution during a break in the unit's operation, the chemistry supply valve should be turned to the horizontal position.

Technical specifications:

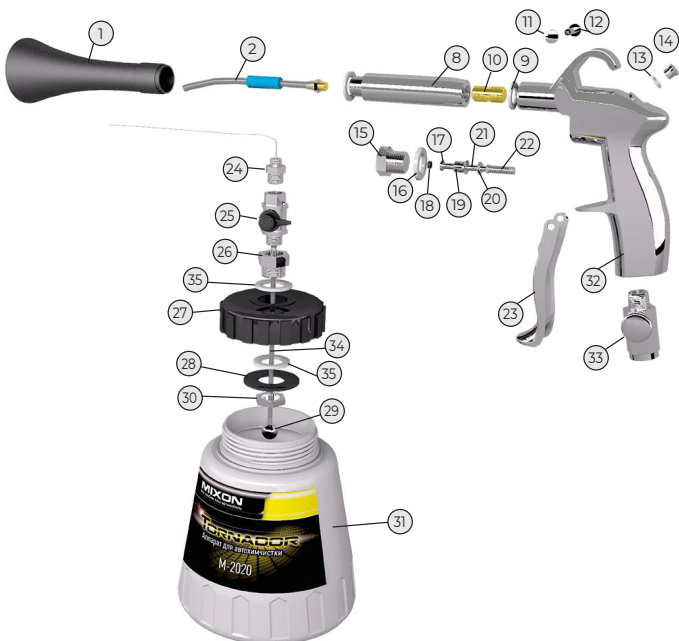
- Free rotation speed: 4000 rpm.
- Air flow: 110 L/min.
- Composition consumption: 6 L/h.
- Air inlet: 1/4».
- Optimal air pressure: 6.2 bar.
- Weight: 0.73 kg.

Instructions and recommendations:

1. Use only recommended cleaning agents - do not use detergents containing chlorine.
7. After completion of all work, unscrew the neck and thoroughly rinse all working surfaces and elements with clean water.
8. The installation of an oil trap in the air line is recommended.

MACHINE SPARES

TORNADOR M-2020



Nº	Item number	Name
1	MT-208B	M2020 nozzle
2	MT-200K	Wrapping turbine for M2020
8	MT-201U	Handle extension for M-2020 and M-2030.
9	MT-130U	Universal plastic case gasket
10	MT-125U	Two-cut screw of universal housing
11	MT-108U	Holder screw trigger holder screw
12	MT-107U	Trigger holder
13	MT-126U	Universal body screw gasket
14	MT-110U	External screw of housing
15	MT-111U	Housing connecting screw
16	MT-128U	Inner screw O-ring
17	MT-127U	Bushing gasket
18	MT-131U	Internal valve stem gasket
19	MT-112U	Multipurpose inner bushing
20	MT-113U	Universal bushing gasket

Nº	Item number	Name
21	MT-114U	Universal valve stem
22	MT-115U	Universal valve spring
23	MT-109U	Universal trigger
24	MT-209A	Inner thin tube with threaded retainer M-2020 M-2030
25	MT-117U	Multipurpose air reversing valve
26	MT-118U	Universal crane lower connecting screw
27	MT-119U	Multipurpose tank cover with hole
28	MT-214U	Universal tank cover gasket
29	MT-132U	Metal tank ball
30	MT-121U	Screw connection nut MT118U
31	MT-123U	Plastic tank
32	MT-101U	Universal housing handle
33	MT-330U	Lower air regulator (1/4" PF)
33	MT-330N	Lower air regulator (1/4"NPT)

DRY CLEANER

TORNADOR M-2030

It is recommended to use the universal interior cleaner M-760

A professional device of the second generation, which allows, with a minimum consumption of detergent, to clean even heavily contaminated surfaces and parts of the car as quickly and efficiently as possible.

It is used to clean the passenger compartment, body ceiling, dashboard, ventilation holes, mats, discs, engine and other parts of the machine, regardless of the sensitivity, accessibility and degree of contamination of the treated surface. The Tornador M-2030 integrates a pressure control valve that automatically reduces or increases the volume of the exhaust composition or air depending on the distance of the nozzle from the treated surface. After treatment, the surface remains practically dry.

The device has two positions:

1. Supply of composition under air pressure - detergent solution under pressure is supplied to contaminated surface.
2. Air supply, which allows you to «knock out» dirt from the treated surface - the effect of a «tornado» created by a spinning spout inside the neck of the device. Dirt removed from the surface settles in the neck, which is cleaned by simple immersion in water and air supply.
2. Avoid using excessively high air pressure - pressures over 9 bar significantly accelerate the wear of the neck and inner tubes.
3. Before starting work, the surface to be treated must be thoroughly vacuumed.
4. Do not leave the unit connected to the air line - use the convenient quick release coupling to disconnect when work is finished or a break is required.
5. In order to avoid uncontrolled spillage of the working solution during a break in the unit's operation, the chemistry supply valve should be turned to the horizontal position.

Technical specifications:

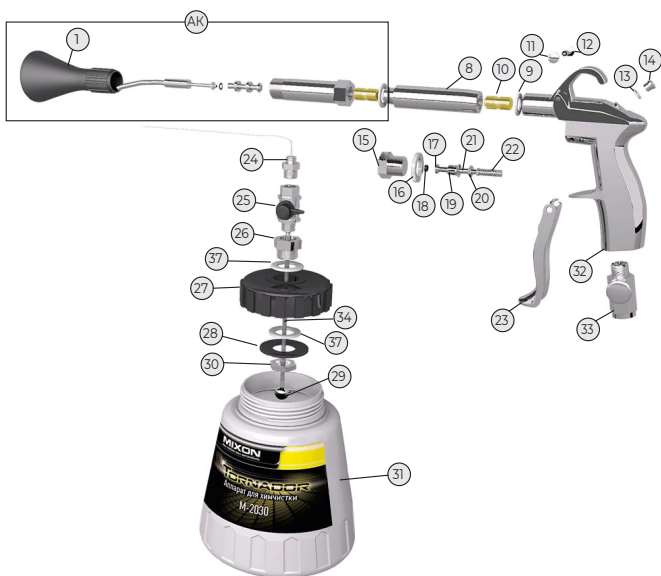
- Free rotation speed: **5000 rpm.**
- Air consumption: **130 L/min.**
- Composition consumption: **6 L/h.**
- Air inlet: **1/4".**
- Optimum air pressure: **6.2 bar.**
- Weight: **0.8 kg.**

Instructions and recommendations:

1. Use only recommended cleaning agents - do not use detergents containing chlorine.
7. After completion of all work, unscrew the neck and thoroughly rinse all working surfaces and elements with clean water.
8. The installation of an oil trap in the air line is recommended.

MACHINE SPARES

TORNADOR M-2030



Nº	Item number	Name
1	MT-205K	Plastic M-2030 nozzle.
8	MT-201U	M-2020 handle extension, M-2030
9	MT-130U	Universal plastic case gasket
10	MT-125U	Two-cut screw of universal housing
11	MT-108U	Holder screw trigger holder screw
12	MT-107U	Trigger holder
13	MT-128U	Inner screw O-ring
14	MT-110U	External screw of housing
15	MT-111U	Housing connecting screw
16	MT-126U	Universal body screw gasket
17	MT-131U	Internal valve stem gasket
18	MT-127U	Bushing gasket
19	MT-112U	Multipurpose inner bushing
20	MT-113U	Universal bushing gasket
21	MT-114U	Universal valve stem

Nº	Item number	Name
22	MT-115U	Universal valve spring
23	MT-109U	Universal trigger
24	MT-209A	Inner thin tube with threaded retainer M-2020 M-2030
25	MT-117U	Multipurpose air reversing valve
26	MT-118U	Universal crane lower connecting screw
27	MT-119U	Multipurpose tank cover with hole
28	MT-214U	Universal tank cover gasket
29	MT-132U	Metal tank ball
30	MT-121U	Screw connection nut MT-118U
31	MT-123A	Plastic tank (new)
32	MT-101U	Universal housing handle
33	MT-330U	Lower air regulator
34	MT-122U	Plastic tank inner tube
37	MT-133U	Inner washer of M-2020 tank cover, M-2030

DRY CLEANER

TORNADOR M-2040 TURBO



A second generation professional machine that allows you to clean excessively soiled surfaces and car parts as quickly and efficiently as possible while minimizing detergent consumption. Tornador M-2040 Turbo is used for cleaning the interior, body ceiling, dashboard, air vents, carpets, disks, engine and other parts of the car regardless of the sensitivity, accessibility and degree of contamination of the treated surface. This model has the ability to connect to a dust collector for the best removal of extremely dirty floor coverings and car mats.

The Tornador M-2040 Turbo has an integrated pressure control valve, which automatically reduces or increases the volume of the output composition or air depending on the distance of the nozzle from the treated surface. The surface remains virtually dry after treatment.

It is recommended to use the universal interior cleaner M-760

The device has two positions:

1. Supply of composition under air pressure - detergent solution under pressure is supplied to contaminated surface.
2. Air supply, which allows you to «knock out» dirt from the treated surface - the effect of a «tornado» created by a spinning spout inside the neck of the device. Dirt removed from the surface settles in the neck, which is cleaned by simple immersion in water and air supply.
2. Avoid using excessively high air pressure - pressures over 9 bar significantly accelerate the wear of the neck and inner tubes.
3. Before starting work, the surface to be treated must be thoroughly vacuumed.
4. Do not leave the unit connected to the air line - use the convenient quick release coupling to disconnect when work is finished or a break is required.
5. In order to avoid uncontrolled spillage of the working solution during a break in the unit's operation, the chemistry supply valve should be turned to the horizontal position.

Technical specifications:

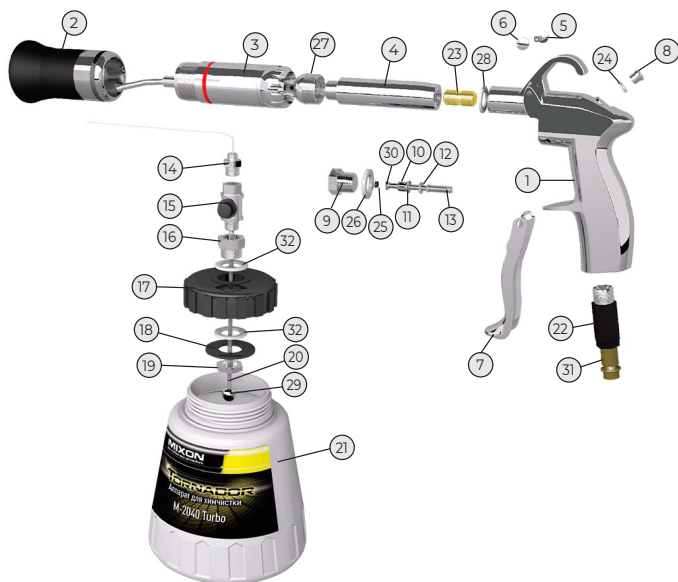
- Free rotation speed: 1000-8000 rpm.
- Air flow rate: 80-160 L/min.
- Composition consumption: 0-9.6 L/h.
- Air inlet: 1/4».
- Optimal air pressure: 6.2 bar.
- Weight: 0.92 kg.

Instructions and recommendations:

1. Use only recommended cleaning agents - do not use detergents containing chlorine.
5. During operation it is necessary to keep the inner surface of the neck clean. In case of contamination, lower the neck 5-7 cm into a container with water and remove the dirt by two-three short presses on the trigger.
7. After completion of all work, unscrew the neck and thoroughly rinse all working surfaces and elements with clean water.
8. It is recommended to install an oil trap in the air line.

MACHINE SPARES

TORNADOR M-2040 TURBO



Nº	Item number	Name
1	MT-101U4	Housing handle M-2040
2	MT-200N	Plastic M-2040 nozzle.
3	MT-205N	Rotating turbine assembly for M-2040
4	MT-106U	M-2010 handle extension, M-2040
5	MT-107U	Trigger holder
6	MT-108U	Holder screw trigger holder screw
7	MT-109U	Tornado's trigger is universal
8	MT-110U	External screw of housing
9	MT-111U	Housing connecting screw
10	MT-112U	Multipurpose inner bushing
11	MT-113U	Universal bushing gasket
12	MT-114U	Universal valve stem
13	MT-115U	Universal valve spring
14	MT-203N	Inner thin tube with threaded retainer for M-2040
15	MT-117U	Multipurpose air reversing valve

Nº	Item number	Name
16	MT-118U	Connecting screw of the lower university crane.
17	MT-119U	Multipurpose tank cover with hole
18	MT-214U	Universal tank cover gasket
19	MT-121U	Screw connection nut MT-118U
20	MT-122U	Plastic tank inner tube
21	MT-123U	Plastic tank
22	MT-124A	Handle bottom air adapter
23	MT-125U	Two universal screw of the housing
24	MT-126U	Universal body screw gasket
25	MT-127U	Bushing gasket
26	MT-128U	Inner screw O-ring
27	MT-205A	Adapter for two threaded turbine
28	MT-130U	Universal plastic case gasket
29	MT-132U	Metal tank ball
30	MT-131U	Internal valve stem gasket

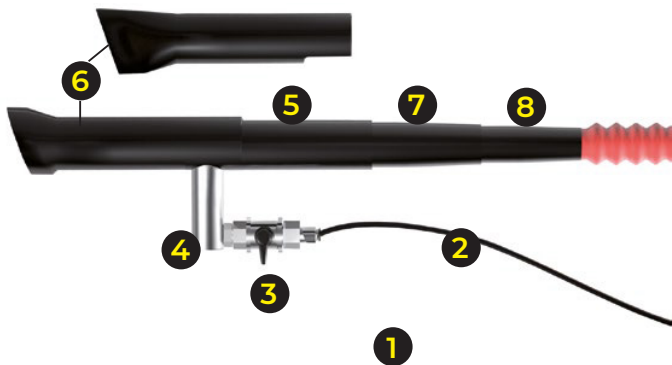
Pneumatic nozzle for vacuum cleaners

MZ-013N



The kit includes:

1. Nipple;
2. PU tube, 3 m;
3. Reversing switch assembly;
4. Valve body;
5. Vacuum body;
6. Body nozzle;
7. Connection tube;
8. Vacuum connection tube.



Automatic reel with pneumatic hose. 15 m. Floor mounting

MO-1100



Open reel polyurethane hose is designed for supplying compressed air to pneumatic tools, connecting pneumatic equipment.

Description:

The hose can withstand pressures up to 34.5 bar, which meets the requirements for a professional pneumatic tool in heavy use. The return mechanism automatically reels the hose onto the drum after disconnection.

Technical specifications:

Hose material: polyurethane (PU).

Body material: steel + plastic.

Outer diameter: 12 mm.

Internal diameter: 8 mm.

Operating pressure: 15 bar.

Hose length: 15 m.

Nozzle size: 3/8".

Automatic reel with air hose. Wall mount

MO-II09 10 m

MO-III 15 m



Pneumatic hose coil in metal housing. Polyurethane hose is resistant to aggressive chemical influences and does not lose elasticity at low temperatures.

Description:

The hose can withstand pressures up to 34.5 bar, which meets the requirements for a professional pneumatic tool in heavy use. The spool in a strong steel housing provides additional protection of the hose from external influences. The metal swivel mount allows you to fix the coil in any convenient place. The return mechanism automatically reels the hose onto the reel after disconnection.

Technical specifications:

Hose material: polyurethane (PU).

Body material: steel.

Outer diameter: 12 mm.

Internal diameter: 8 mm.

Operating pressure: 15 bar.

Hose length: 10/15 m.

Nozzle size: 3/8".

Automatic reel with water hose. 15 m. Floor mounting

MO-2001



Open reel, polyurethane hose is designed for mobile or stationary fluid supply applications.

Description:

The hose can withstand pressures up to 34.5 bar, which meets the requirements for a professional pneumatic tool in heavy use. The return mechanism automatically reels the hose onto the drum after disconnection.

Technical specifications:

Hose material: polyurethane (PU).

Body material: steel + plastic.

Outer diameter: 12 mm.

Internal diameter: 8 mm.

Operating pressure: 15 bar.

Hose length: 15 m.

Nozzle size: 3/4".

Connector for quick release

MT-214N



Brass fitting for quick release with Herringbone joint (EU Type)

Lower air regulator

MT-330N (1/4"NPT)

MT-330P (1/4"PT)

MT-330U



Brass connector to quick coupler with herringbone connection (EU Type)

Handle extension for M-2010 and M-2040

MT-106U



Handle extension for M-2020 and M-2030

MT-201U



Plastic nozzle with brush

MT-208B



Plastic bell with brush for Tonador M-2020. Allows you to keep the required distance to the cleaning surface, mechanically (using a brush) clean the surface with severe dirt.

Plastic nozzle with brush

MT-208B



Plastic bell with brush for Tonador M-2010. Allows you to keep the required distance to the cleaning surface, mechanically (using a brush) clean the surface with severe dirt.