

MIXON



- Active foam
- Products for body, glass and wheels
- Products for interior
- Cloths and equipment

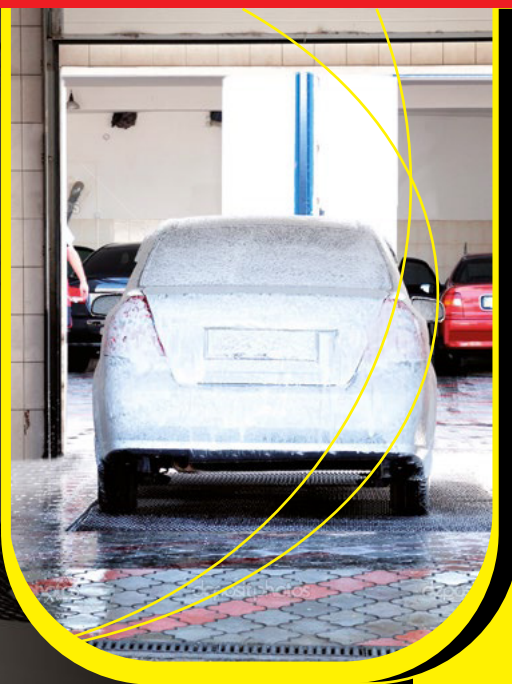
CAR CARE

Automotive chemicals, auto cosmetics and equipment



ACTIVE FOAM

for non-contact washing





ACTIVE FOAM M-805 ACTIVE FOAM

ECOLOGICAL



Concentrated detergent for professional car and truck washing. Forms a firm foam and rinses off easily, leaving a protective film on the car body. It has no effect on aluminum, chrome and plastic parts. The chemical composition is safe for the environment and completely harmless to the skin of hands.

Method of Application:

1. In summer, cool down dark, old or rusty paintwork with water;
2. If the car is heavily soiled, it is recommended to knock off the dirt with an AHF;
3. Spray the composition on the dirty surface from bottom to top, keep it for a few minutes;
4. Using a high-pressure washing machine, wash the car, starting from bottom to top with horizontal movements;
5. Perform a final rinse of chemical residues from the car body, rinsing it with clean water.

Do not allow the chemistry to dry on the car body. Do not apply on the surface having temperature higher than 30°C. Avoid working in direct sunlight.

Dilution:

Contactless washing:

Foam nozzle: 1:10 L – 1:15 L;
Sprayer: 1:100 – 1:150.

Characteristics:

- The product has a high dilution ratio, which ultimately results in a 30% savings in chemical costs;
- Forms a protective film on the car body;
- Does not affect aluminum, chrome plated and plastic parts;
- The product easily cleans any kind of dirt: grease, oil, smog, insects, etc.;
- The product contains surfactants that are compatible with any water treatment system.

Packaging:

Bottle: 1.1 kg.
Canister: 7, 14, 22, 28 kg.



ACTIVE FOAM

M-806 ACTIVE FOAM

ALL-SEASON



Concentrated detergent with a wide range of applications, removes the most persistent road pollution (dust, oils, lubricants, insect tracks, wood resin and clay). Used for contactless washing of cars and trucks. Chemical composition without phosphates and solvents is safe for the environment, harmless for health.

Method of Application:

1. In summer, cool down dark, old or rusty paintwork with water;
2. If the car is heavily soiled, it is recommended to knock off the dirt with an AHF;
3. Spray the composition on the dirty surface from bottom to top, keep it for a few minutes;
4. Using a high-pressure washing machine, wash the car, starting from bottom to top with horizontal movements;
5. Perform a final rinse of chemical residues from the car body, rinsing it with clean water.

Do not allow the chemistry to dry on the car body. Do not apply on the surface having temperature higher than 30°C. Avoid working in direct sunlight.

Dilution:

Automatic washing:

Recommended dilution: 20-40 g per vehicle.

Contactless washing:

Foam nozzle: 1:4 L – 1:7 L;

Sprayer: 1:40 L – 1:70 L.

Characteristics:

- The product has a high dilution ratio, which ultimately results in a 30% savings in chemical costs;
- Forms a protective film on the car body;
- Does not affect aluminum, chrome plated and plastic parts;
- The product easily cleans any kind of dirt: grease, oil, smog, insects, etc.;
- The product contains surfactants that are compatible with any water treatment system.

Packaging:

Bottle: 1.1 kg.

Canister: 6, 12, 22, 26 kg.

Barrel: 220 kg.



ACTIVE FOAM M-807 ACTIVE FOAM

STRONGLY FOAMING



Strongly concentrated detergent for professional car and truck washing. Forms a firm foam and rinses off easily, leaving a protective film on the car body. It has no effect on aluminum, chrome and plastic parts. The chemical composition is safe for the environment and completely harmless to the skin of hands.

Method of Application:

1. In summer, cool down dark, old or rusty paintwork with water;
2. If the car is heavily soiled, it is recommended to knock off the dirt with an AHF;
3. Spray the composition on the dirty surface from bottom to top, keep it for a few minutes;
4. Using a high-pressure washing machine, wash the car, starting from bottom to top with horizontal movements;
5. Perform a final rinse of chemical residues from the car body, rinsing it with clean water.

Do not allow the chemistry to dry on the car body. Do not apply on the surface having temperature higher than 30°C. Avoid working in direct sunlight.

Dilution:

Automatic washing:

Recommended dilution: 10-15 g per vehicle.

Contactless washing:

Foam nozzle: 1:5 L – 1:10 L;

Sprayer: not recommended.

Characteristics:

- The product has a high dilution ratio, which ultimately results in a 30% savings in chemical costs;
- Forms a protective film on the car body;
- Does not affect aluminum, chrome plated and plastic parts;
- The product easily cleans any kind of dirt: grease, oil, smog, insects, etc.;
- The product contains surfactants that are compatible with any water treatment system.

Packaging:

Bottle: 1,2 кг.

Canister: 7, 14, 24, 29 кг.



ACTIVE FOAM

M-808 ACTIVE FOAM

ECONOM



Concentrated detergent with a wide range of applications, removes the most persistent road dirt (dust, oils, grease, insect traces, wood resin and clay). It is used for contactless washing of cars and trucks. Forms a firm foam and is easily washed off, leaving a protective film on the car body. The chemical composition without phosphates and solvents is safe for the environment, harmless to health.

Method of Application:

1. In summer, cool down dark, old or rusty paintwork with water;
2. If the car is heavily soiled, it is recommended to knock off the dirt with an AHF;
3. Spray the composition on the dirty surface from bottom to top, keep it for a few minutes;
4. Using a high-pressure washing machine, wash the car, starting from bottom to top with horizontal movements;
5. Perform a final rinse of chemical residues from the car body, rinsing it with clean water.

Do not allow the chemistry to dry on the car body. Do not apply on the surface having temperature higher than 30°C. Avoid working in direct sunlight.

Dilution:

Automatic washing:

Recommended dilution: 20-40 g per vehicle.

Contactless washing:

Foam nozzle: 1:4 L – 1:8 L;

Sprayer: 1:60 L – 1:80 L.

Characteristics:

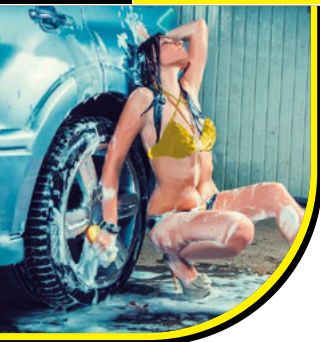
- The product has a high dilution ratio, which ultimately results in a 30% savings in chemical costs;
- Forms a protective film on the car body;
- Does not affect aluminum, chrome plated and plastic parts;
- The product easily cleans any kind of dirt: grease, oil, smog, insects, etc.;
- The product contains surfactants that are compatible with any water treatment system.

Packaging:

Bottle: 1,1 kg.

Canister: 7, 14, 22, 28 kg.

Barrel: 230 kg.



ACTIVE FOAM M-809 ACTIVE FOAM

TOP SALES



Highly concentrated detergent for professional car and truck washing. It forms a firm foam and is easily washed off, leaving a protective film on the car body. Easily cleans any type of dirt: grease, oil, smog, insects, etc. It has no effect on aluminum, chrome and plastic parts. The chemical composition is safe for the environment, completely harmless to the skin of the hands.

Method of Application:

1. In summer, cool down dark, old or rusty paintwork with water;
2. If the car is heavily soiled, it is recommended to knock off the dirt with an AHF;
3. Spray the composition on the dirty surface from bottom to top, keep it for a few minutes;
4. Using a high-pressure washing machine, wash the car, starting from bottom to top with horizontal movements;
5. Perform a final rinse of chemical residues from the car body, rinsing it with clean water.

Do not allow the chemistry to dry on the car body. Do not apply on the surface having temperature higher than 30°C. Avoid working in direct sunlight.

Dilution:

Automatic washing:

Recommended dilution: 10-20 g per vehicle.

Contactless washing:

Foam nozzle: 1:8 L – 1:12 L;

Sprayer: 1:80 L – 1:120 L.

Characteristics:

- The product has a high dilution ratio, which ultimately results in a 30% savings in chemical costs;
- Forms a protective film on the car body;
- Does not affect aluminum, chrome plated and plastic parts;
- The product easily cleans any kind of dirt: grease, oil, smog, insects, etc.;
- The product contains surfactants that are compatible with any water treatment system.

Packaging:

Bottle: 1.2 kg.

Canister: 7, 14, 24, 29 kg.



ACTIVE FOAM CONCENTRATE

M-815 ACTIVE FOAM

HIGHLY CONCENTRATED



Highly concentrated detergent for professional car and truck washing. Forms a firm foam and rinses off easily, leaving a protective film on the car body. Easily cleans all types of dirt: grease, oil, smog, insects, etc. Does not have any effect on aluminum, chrome and plastic parts.

The chemical composition is safe for the environment, completely harmless to the skin of hands.

Method of Application:

1. In summer, cool down dark, old or rusty paintwork with water;
2. If the car is heavily soiled, it is recommended to knock off the dirt with an AHF;
3. Spray the composition on the dirty surface from bottom to top, keep it for a few minutes;
4. Using a high-pressure washing machine, wash the car, starting from bottom to top with horizontal movements;
5. Perform a final rinse of chemical residues from the car body, rinsing it with clean water.

Do not allow the chemistry to dry on the car body. Do not apply on the surface having temperature higher than 30°C. Avoid working in direct sunlight.

Dilution:

Automatic washing:

Recommended dilution: 10-30 g per vehicle.

Contactless washing:

Foam nozzle: 1:10 L – 1:25 L.

Characteristics:

- The product has a high dilution ratio, which ultimately results in a 30% savings in chemical costs;
- Forms a protective film on the car body;
- Does not affect aluminum, chrome plated and plastic parts;
- The product easily cleans any kind of dirt: grease, oil, smog, insects, etc.;
- The product contains surfactants that are compatible with any water treatment system.

Packaging:

Bottle: 1,2 kg.

Canister: 7, 14, 24, 29 kg.



ACTIVE FOAM

M-816 ACTIVE FOAM

BUDGETARY



Highly foaming detergent for contactless washing of cars and trucks. The detergent forms a persistent active foam on the car body. The composition of the product is compatible with all types of waxes. The chemical composition is phosphate-free and solvent-free, harmless to health. These qualities make it indispensable when used in closed or poorly ventilated areas. Recommended for use in summer.

Method of Application:

1. In summer, cool down dark, old or rusty paintwork with water;
2. If the car is heavily soiled, it is recommended to knock off the dirt with an AHF;
3. Spray the composition on the dirty surface from bottom to top, keep it for a few minutes;
4. Using a high-pressure washing machine, wash the car, starting from bottom to top with horizontal movements;
5. Perform a final rinse of chemical residues from the car body, rinsing it with clean water.

Do not allow the chemistry to dry on the car body. Do not apply on the surface having temperature higher than 30°C. Avoid working in direct sunlight.

Dilution:

Automatic washing:

Recommended dilution: 20-40 g per vehicle.

Contactless washing:

Foam nozzle: 1:3 L – 1:6 L;

Sprayer: 1:30 L – 1:60 L.

Characteristics:

- Ideal for use in enclosed or poorly ventilated areas;
- Product is compatible with all types of waxes;
- Forms a large amount of foam when applied;
- Product easily cleans all types of dirt: grease, oil, smog, insects, etc.;
- Product contains surfactants that are compatible with all water treatment systems.

Packaging:

Bottle: 1,1 kg.

Canister: 7, 13, 23, 28 kg.



ACTIVE FOAM FOR SELF-SERVICE WASHES

M-817 ACTIVE FOAM

Highly concentrated detergent specially formulated for use in self-service car washes. Easily removes road dirt, dust, oil, insect marks. It has a high level of foaming, easily rinsed from the surface. Works great on car disks, washing off stubborn dirt and brake pad deposits. Provides a great shine to the paintwork. Does not harm aluminum, chrome, rubber and other car surfaces.

Method of Application:

1. In summer, cool down dark, old or rusty paintwork with water;
2. Using a high-pressure washer, wash the car, starting from the bottom upwards with horizontal movements;
3. Perform a final rinse of chemical residues from the car body by rinsing it with clean water.

Do not allow the chemistry to dry on the car body. Do not apply on the surface having temperature higher than 30°C. Avoid working in direct sunlight.

Dilution:

Self-service car wash;
Pre-dilution: 1:2 L – 1:4 L.

Characteristics:

- Ideal for use in self-service car washes;
- Forms a large amount of foam when applied;
- Product easily cleans all types of dirt: grease, oil, smog, insects, etc.;
- Product contains surfactants that are compatible with all water treatment systems.

Packaging:

Bottle: 1,1 kg.
Canister: 7, 13, 23, 28 kg.



ACTIVE FOAM

M-821 NANO 2K ACTIVE FOAM

Concentrated composition with liquid wax and strong cleaning effect for non-contact washing of cars and trucks. The presence of liquid wax gives two advantages at once: it does not take time to wax, because it occurs during the washing process; due to rapid waxing of the surface, water consumption is reduced. It also effectively removes any kind of dirt from the body surface. Safe for easily fused car wheels.

WAX FOAM

Method of Application:

1. In summer, cool down dark, old or rusty paintwork with water;
2. If the car is heavily soiled, it is recommended to knock off the dirt with an AHF;
3. Spray the composition on the dirty surface from bottom to top, keep it for a few minutes;
4. Using a high-pressure washing machine, wash the car, starting from bottom to top with horizontal movements;
5. Perform a final rinse of chemical residues from the car body, rinsing it with clean water.

Do not allow the chemistry to dry on the car body. Do not apply on the surface having temperature higher than 30°C. Avoid working in direct sunlight.

Dilution:

Foam nozzle: 1:5 L – 1:8 L.

Characteristics:

- Does not affect aluminum, chrome and plastic parts;
- Recommended for use in hard water;
- Product easily cleans all types of dirt: grease, oil, smog, insects, etc.;
- Product contains surfactants that are compatible with all water treatment systems.

Packaging:

Bottle: 1 kg
Canister: 6 kg.



ACTIVE FOAM M-820 ACTIVE FOAM 2K

FOR HARD WATER



Concentrated 2K composition with strong cleaning effect for contactless washing of cars and trucks. It can also be used for washing the engine and the space under the hood of the car. Effectively removes any kind of dirt from the surface of the body and engine. Safe for light-alloy wheel disks of the car. Recommended for use in hard water.

Method of Application:

1. In summer, cool down dark, old or rusty paintwork with water;
2. If the car is heavily soiled, it is recommended to knock off the dirt with an AHF;
3. Spray the composition on the dirty surface from bottom to top, keep it for a few minutes;
4. Using a high-pressure washing machine, wash the car, starting from bottom to top with horizontal movements;
5. Perform a final rinse of chemical residues from the car body, rinsing it with clean water.

Do not allow the chemistry to dry on the car body. Do not apply on the surface having temperature higher than 30°C. Avoid working in direct sunlight.

Dilution:

Automatic washing:

Recommended dilution: 10-20 g per vehicle.

Contactless washing:

Foam nozzle: 1:5L – 1:8 L;

Sprayer: 1:50 L – 1:80 L.

Characteristics:

- Recommended for use washing car engine and under hood space;
- Does not affect aluminum, chrome and plastic parts;
- Recommended for use in hard water;
- Product easily cleans any type of dirt: grease, oil, smog, insects, etc.;
- Product contains surfactants that are compatible with all water treatment systems.

Packaging:

Bottle: 1,1 kg.

Canister: 6, 13, 27 kg.



ACTIVE FOAM M-822 ACTIVE FOAM 2K

FOR MEDIUM HARD
WATER



Concentrated 2K composition with high level of foaming for contactless washing of cars and trucks. It does not damage body elements made of rubber, plastic and chrome.

The product easily removes all types of contaminants: oil, petroleum, smog, insect traces, wood resin and clay. It does not leave white streaks on the surface of a clean car. Recommended for use in hard water.

Method of Application:

1. In summer, cool down dark, old or rusty paintwork with water;
2. If the car is heavily soiled, it is recommended to knock off the dirt with an AHF;
3. Spray the composition on the dirty surface from bottom to top, keep it for a few minutes;
4. Using a high-pressure washing machine, wash the car, starting from bottom to top with horizontal movements;
5. Perform a final rinse of chemical residues from the car body, rinsing it with clean water.

Do not allow the chemistry to dry on the car body. Do not apply on the surface having temperature higher than 30°C. Avoid working in direct sunlight.

Characteristics:

- Does not affect aluminum, chrome and plastic parts;
- Recommended for use in hard water;
- Product easily cleans all types of dirt: grease, oil, smog, insects, etc.;
- Product contains surfactants that are compatible with all water treatment systems.

Packaging:

Bottle: 1,1 kg.
Canister: 6, 13, 27 kg.

Dilution:

Automatic washing:

Recommended dilution: 20-40 g per vehicle.

Contactless washing:

Foam nozzle: 1:3 L – 1:6 L;

Sprayer: 1:30 L – 1:60 L.



ACTIVE FOAM

M-825 ACTIVE FOAM 2K

FOR EXTREME DIRT



High quality 2K composition with high foaming. Multifunctional product is recommended for washing cars, refrigerators, tents, engine washing. It has a strong effect on any type of dirt. Does not leave white streaks on the surface of a clean car. Recommended for use in hard water.

Method of Application:

1. In summer, cool dark, old or rusty paints with water;
2. If the vehicle is heavily contaminated, it is recommended to knock down dirt using the AED;
3. Spray the compound on the contaminated surface from bottom to top;
4. Using a high-pressure washer, wash the car, starting from the bottom up with horizontal movements;
5. Perform final washing of chemical residues from the car body by rinsing it with clean water.

Do not allow the chemistry to dry on the car body. Do not apply on the surface having temperature higher than 30°C. Avoid working in direct sunlight.

Dilution:**Automatic washing:**

Recommended dilution: 10-20 g per vehicle.

Contactless washing:

Foam nozzle: 1:8 L – 1:12 L;

Sprayer: 1:80 L – 1:120 L.

Characteristics:

- The product has a high dilution ratio, resulting in a 30% savings in chemical costs;
- Recommended for use washing the car engine and the space under the hood;
- Does not affect aluminum, chrome and plastic parts;
- Recommended for use in hard water;
- The product easily cleans any kind of dirt: grease, oil, smog, insects, etc.;
- The product contains surfactants that are compatible with any cleaning system.

Packaging:

Bottle: 1,2 kg.

Canister: 7, 14, 23, 29 kg.

cc.mixon.ua

BODY, GLASS AND WHEEL

CARE PRODUCTS



cc.mixon.ua



AEROSOL FOAM TIRE CLEANER

M-112 FOAM TIRE CLEANER



NEW

Foam aerosol cleaner is used for fast and efficient cleaning and gives the treated surface the appearance of a new rubber. The protective polymer film formed by the composition prevents re-contamination of the treated surface.

Method of Application:

Foam aerosol cleaner should be shaken for 2-3 minutes. It can be applied on both dry and wet surfaces. Apply at a distance of 20 cm from the side surface of the tire. After a few minutes, spread the residue evenly on the tire surface. Do not spray on brake disks, floor mats or seats. Use at a temperature of 10-25°C.

Packaging:

Cylinder: 750 ml.



CLEANER



HYDROPHOBIC AGENT «ANTIRAIN»

M-75I ANTIRAIN

Unique hydrophobic product "Anti-Rain" for exterior surfaces of car windows, mirrors and headlights. After application of "Anti-Rain" on the surface creates a transparent water-repellent coating, which prevents water retention on the glass, the appearance of salt streaks, dirt and ice - they simply roll off the surface of the glass.

Scope:

Car or motorcycle windows, headlights, mirrors.

Method of Application:

Thoroughly clean, wash and degrease the outer surface of windows and headlamps with any detergent. Do not use products that leave protective films on the surface. The composition should be sprayed on the treated surface of the glass and wait for 2 minutes. After that it is necessary to rub the "Anti Rain" product into the glass surface with a paper napkin or a Mixon Universal cloth for 3-5 minutes. As a result, a visible whitish deposit should form - this is a sign that the product interacts with the glass. After 1-2 minutes after application of the product, remove the deposit from the glass surface by thoroughly wiping with a dry clean paper towel or Mixon Universal cloth. Anti-rain effect duration: 1 month. 1 bottle is enough to treat windows, headlights and mirrors of the car 6 times.

Packaging:

Bottle 250 ml.



INSECT TRACE REMOVER

M-8II INSECTS TRACE REMOVER

Concentrated active foam composition for contactless washing of cars and trucks. Guaranteed to remove 90% of bio-contamination (insects, mosquitoes, etc.). Recommended for use in automatic tunnel washes for the first phase.

**Method of Application:**

1. In summer, cool down dark, old or rusty paintwork with water;
2. If the car is heavily soiled, it is recommended to knock off the dirt with an AHF;
3. Spray the composition on the dirty surface from bottom to top;
4. Using a high-pressure washing machine, wash the car, starting from bottom to top with horizontal movements;
5. Perform a final rinse of chemical residues from the car body, rinsing it with clean water.

Do not allow the chemistry to dry on the car body. Do not apply on the surface having temperature higher than 30°C. Avoid working in direct sunlight.

Dilution:**Automatic washing:**

Recommended dilution: 20-40 g per vehicle.

Contactless washing:

Foam nozzle: 1:3L – 1:6 L;

Sprayer: 1:30 L – 1:50 L.

Characteristics:

- The product easily cleans any kind of bio dirt (insects, mosquitoes, etc.);
- Recommended for use in automatic tunnel washes;
- The product easily cleans any kind of dirt: grease, oil, smog, insects, etc.;
- The product contains surfactants that are compatible with any water treatment system.

Packaging:

Canister: 6, 12, 26 kg.



HAND WASH SHAMPOO M-857 SHAMPOO



Strongly concentrated shampoo for professional hand car wash. Special formula of the product provides delicate washing of cars with any types of paint surfaces, does not affect plastic and rubber parts. After rinsing off the shampoo, the car surface dries quickly. Phosphate-free chemical formula.

Method of Application:

1. In summer, cool dark, old or rusty paints with water;
2. If the vehicle is heavily contaminated, it is recommended to knock the dirt off the hose with water or with pressurized water;
3. Apply foam solution using a sponge or brush;
4. Rinse the car with clean water.

Do not allow the chemistry to dry on the car body. Do not apply on the surface having temperature higher than 30°C. Avoid working in direct sunlight.

Dilution:

Final blend: 1:100 L – 1:200 L.

Characteristics:

- Used for manual car wash;
- The product is safe for hand skin;
- Does not affect aluminum, chrome and plastic parts;
- The product easily cleans any kind of dirt: grease, oil, smog, insects, etc.;
- The product contains surfactants that are compatible with any water treatment systems.

Packaging:

Bottle: 1 kg.
Canister: 6, 12, 25 kg.

CONCENTRATED POLISHING WAX M-830 WATER WAX



ALL-SEASON

Polymer (cold) wax with polishing effect. The high water repellency characteristics of the product are indispensable even when used with hard or recycled water. Wax does not leave white marks on the paintwork of the car. There are no mineral oils in the chemical composition of the product. Does not stain washing brushes, does not pollute the floor, and does not leave a stain on the glass. Wax is ideal for automatic washes, where the final wiping of suede is not provided.

Dilution:

Contactless washing:
Foam nozzle: 1:20 L - 1:40 L;
Sprayer: 1:40 L - 1:70 L.

Characteristics:

- High water-repellent characteristics;
- Leaves no white marks on the surface;
- The product contains surfactants that are compatible with any water treatment systems.

Packaging:

Bottle: 1,0 kg.
Canister: 6 kg.

POLISHING WAX

M-831 WATERPROOF WAX

SUMMER

Polymer (cold) wax with polishing effect. Wax does not leave white marks on the paintwork of the car. There are no mineral oils in the chemical composition of the product. Does not stain washing brushes, does not pollute the floor, and does not leave a stain on the glass. Wax is ideal for automatic washes, where the final wiping of suede is not provided.

Dilution:**Contactless washing:**

Foam nozzle: 1:10 L - 1:20 L;

Sprayer: 1:30 L - 1:50 L.

Characteristics:

- Leaves no white marks on the surface;
- The product contains surfactants that are compatible with any water treatment systems.

Packaging:

Bottle: 1,0 kg.

Canister: 6 kg.

PROTECTIVE WAX

M-833 NANO WAX

NEW

A high-tech nano product that, thanks to exceptional and carefully selected raw materials, gives the body a deep shine, effectively hiding scratches. It has a strong dust and dirt repellent effect, forming an impermeable film that repels dust and pollution, while anti-rain protection contributes to the rapid drainage of rainwater.

Method of Application:

- Apply to the surface and hold for several minutes;
- Using a sponge, rub the product over the surface, rinse (preferably without pressure) rinsing it with clean water until the chemistry disappears completely.

Do not allow the chemistry to dry on the car body. Do not apply on the surface having temperature higher than 30°C.

Avoid working in direct sunlight.

Dilution:

Foam nozzle: 1:8 L – 1:15 L.

Packaging:

Bottle: 1,0 kg.

Canister: 6 kg.





GLASS CLEANER M-103 GLASS CLEANER



Liquid for cleaning car glasses, removes oil and silicone pollution, road dirt, insect marks, ensuring the transparency of the glass. Chemical composition contains natural components. Ideal for use in enclosed or poorly ventilated areas. The liquid is neutral to chromium, paint, rubber and plastic. Composition without ammonia content.

Method of Application:

1. Spray the compound on the contaminated surface;
2. Rub with a dry cloth until the contaminants are completely removed.

Avoid drying of chemicals on the surface. Avoid work when exposed to direct sunlight.

Dilution:

- Ready to use.

Packaging:

Trigger bottle: 0,5 kg, 0,75 kg.
Bottle: 1,0 kg.
Canister: 6, 12, 25 kg.

TIRE PROTECTION GEL M-105 WATER WAX



Concentrated vehicle tire polisher. The polish updates the appearance of the wheel and leaves a glossy film on the surface. The composition penetrates into the tire structure, softens and protects the wheel from cracking. Due to the qualities of the polish, the treated surface remains clean for a long time and does not attract dust.

Method of Application:

1. The polish can be used pure or diluted with water;
2. Wash the wheel surface to be treated before application;
3. Apply the polish with a sponge or small brush to the wheel surface;
4. Leave until completely dry.

Dilution:

Final blend: 1:1 L – 1:2 L.
Undiluted polish - optimum effect.

Packaging:

Bottle: 1,1 kg.
Canister: 7, 14, 28 kg.



GLOSSY TIRE POLISH M-106 POLISH



Concentrated vehicle tire polisher. The polish updates the appearance of the wheel and leaves a glossy film on the surface. The composition penetrates into the tire structure, softens and protects the wheel from cracking. Thanks to the qualities of the polish, the treated surface remains clean for a week and does not attract dust.

Method of Application:

1. Before applying, the treated surface of the wheel must be washed.
2. Spray polish is applied to the wheel surface.
3. Leave until completely dry (do not wipe).

Dilution:

Solvent polish - do not dilute.

Packaging:

Trigger bottle: 0,4 kg, 0,6 kg.
Bottle: 0,8 kg.
Canister: 5 kg.

HIGH-GLOSS TIRE POLISH M-107 POLISH



Concentrated product for polishing car tires. The polish renews the appearance of the wheel and leaves a glossy film on the surface. The composition penetrates into the tire structure, softens and protects the wheel from cracking. Thanks to the qualities of the polish, the treated surface remains clean for a week and does not attract dust.

Method of Application:

1. Before application, the treated surface of the wheel must be washed.
2. The polish is rubbed onto the surface of the wheel with a sponge.
3. Leave until completely dry (do not wipe off).

Dilution:

Do not dilute the polish.

Packaging:

Bottle: 1 kg.
Canister: 6 kg.





BITUMINOUS RESIN REMOVER

M-101 BITUMPROTEC



The composition is specially designed to remove bitumen resin from the surface of the car. Eliminates even the most persistent, long-standing bitumen from any surface. Does not damage the machined surface.

Method of Application:

When treating small areas, apply clean to the surface and clean with a cloth. For larger areas, apply the product with an acid sprayer.

Packaging:

Cylinder: 400 ml.
Bottle: 1,3 kg.
Can: 4 kg.



DISK CLEANER

M-108 DISK CLEANER



Detergent low-strength acid agent of wide spectrum of action. Designed for washing steel and alloy wheels, as well as for external cleaning of tanks. It contains corrosion inhibitors, which allows you to remove stains and traces of oxidation from metal and chrome surfaces. It can be used for cleaning windows, ceramic tiles, metal surfaces. Can be used undiluted.

Method of Application:

1. Apply to the surface and allow to stand for a few minutes;
2. Using a high-pressure washer or sponge, rinse off until the chemistry is gone.

Do not allow chemistry to dry on the surface. Avoid working in direct sunlight.

Dilution:

Final blend: 1:1 L - 1:2 L.

Packaging:

Bottle: 1,1 kg.
Canister: 7 kg.

[TO CONTENTS](#)

MIXON

cc.mixon.ua

INTERIOR CARE PRODUCTS



cc.mixon.ua



AEROSOL FOAM INTERIOR CLEANER

M-111 FOAM SALON CLEANER



The foam interior cleaner quickly removes even deeply embedded dirt, unpleasant odors and refreshes the air in the car. Removes most stains from tea, coffee, milk, juices, blood, lipstick, engine oil, and more. It is used to clean the entire interior of the car, including vinyl and plastic upholstery, dashboard, moldings.

Method of Application:

The aerosol can must be shaken for 2-3 minutes. Spraying is carried out from a distance of 20-30 cm on the treated surface. Spread the foam evenly with a clean cloth or sponge. Wait 20-30 seconds and treat the surface with a dry cloth or sponge. Use a brush for rough surfaces. After cleaning, wipe the surface with a clean cloth or sponge.

Packaging:

Cylinder: 750 ml.

CREAM FOR ELASTICITY AND SHINE OF LEATHER MATERIALS

M-741 DELIZIA



A powerful nutrient for restoring the texture and color of leather goods. Inhibits the aging processes of the skin, gives it elasticity and shine. Protects against UV exposure. Also, the cream can be used with new skin to prevent abrasion and cracking.

Method of Application:

The cream is easy to use. It is necessary to apply the cream evenly with a napkin or soft cloth without rubbing it into the surface. Allow the cream to absorb into the skin for 20 minutes, then remove excess. You can repeat this procedure if necessary.

Attention! Delicia cream can only be used on natural skin!

In case of severe skin damage, it is recommended to apply the cream in large quantities and allow it to be absorbed during the day. Active treatment of sutures is recommended, since in them the process of skin destruction is most pronounced. Leather roofs of convertibles should be treated more often in the summer to protect the skin from the harmful effects of ultraviolet radiation.

Packaging:

Can: 150 ml.



LEATHER CLEANER-CONDITIONER **M-740** LEATHER CLEANER



Special composition renewing leather parts of car upholstery, designed to restore the appearance and elasticity of leather materials.

It has a special composition that renews leather upholstery parts of the car interior. In the process of cleaning it eliminates unpleasant odors in the car interior.



Method of Application:

1. The cleaner is applied to the surface in the form of foam, which is formed with the aid of a foam generator.
2. Use a clean cloth to spread the cleaner over the entire surface to be treated.
3. After five minutes, wipe dry.

Do not allow the product to dry in direct sunlight. Avoid drying of chemicals on the surface.

Dilution:

Not diluted.

Packaging:

Foam generator can: 0.2 kg.
Can: 1 kg.
Canister: 6 kg.



UNIVERSAL INTERIOR CLEANER

M-750 PROF INTERIOR CLEANER



Concentrated perfumed detergent composition for cleaning the car interior from all kinds of pollution. The cleaner gives a layer of penetrating action, which is held on the surface, allowing you to carefully clean any surfaces made of plastic, leather, fabric materials of the car interior upholstery, as well as porous surfaces from various contaminants. In the process of cleaning, it eliminates unpleasant odors and aromatizes the car interior.

Method of Application:

1. The cleaner is applied to the surface manually or with a spray gun.
2. Wait a few seconds, wipe the treated area with a dry cloth.
3. In case of severe contamination, use a brush to clean the cabin.

Avoid drying of chemicals on the surface.

Dilution:

Cabin dry cleaning: 1:3 L – 1:7 L;
Cabin cleaning: 1:10 L – 1:15 L.

Characteristics:

- Used for washing car interiors.
- The product is safe for hand skin.
- The product easily cleans plastic, leather surfaces, fabric materials and porous surfaces.
- The product contains surfactants that are compatible with any water treatment system.

Packaging:

Trigger bottle: 0,75 kg.
Bottle: 1,0 kg.
Canister: 6, 12, 25 kg.



CONCENTRATED INTERIOR CLEANER

M-760 INTERIOR CLEANER

Recommended for use
in TORNADOR dry cleaners

Concentrated detergent composition for cleaning the car interior from all kinds of pollution. The cleaner gives a layer of penetrating action, which is held on the surface, allowing you to carefully clean any surfaces from plastic, leather, fabric materials of the car interior upholstery, as well as porous surfaces from various contaminants. In the process of cleaning, it eliminates unpleasant odors in the car.

Method of Application:

1. The cleaner is applied to the surface manually or with a sprayer;
2. Wait a few seconds, wipe the treated area with a dry cloth;
3. In case of severe dirt, use a brush to clean the cabin.

Avoid drying of chemicals on the surface.

Dilution:

Interior dry cleaning: 1:5 L - 1:10 L;
Interior cleaning: 1:10 L - 1:20 L;
Tornador: 1:6 L.

Characteristics:

- Used for washing car interiors;
- The product is safe for hand skin;
- The product easily cleans plastic, leather surfaces, fabric materials and porous surfaces.
- The product contains surfactants that are compatible with any water treatment systems.

Packaging:

Bottle: 1,0 kg.
Canister: 6 kg, 12 kg, 25 kg.



ANTISTATIC POLISH FOR LEATHER AND PLASTIC **M-102** POLISH



It is produced
in 2 types: blue
and white (coconut).

Polishing leather and plastic surfaces. A special composition that updates the leather details of the upholstery of the car is designed to restore the elasticity of leather materials, and to polish the plastic elements of the car. Depending on the dilution of the concentrate with water, the treated surface acquires a shine or matte effect.

Method of Application:

1. Before use, it is recommended to pre-clean the surface with a Mixon M-760 Interior Cleaner;
2. Apply the polish using a sprayer or sponge;
3. Rub the composition over the entire treated surface with a clean cloth;
4. After five minutes, wipe dry.



Dilution:

Glossy surface: 1:1 L;
Matte surface: 1:2 L.



Packaging:

Trigger bottle: 0,25 kg; 0,75 kg.
Bottle: 1,0 kg.
Canister: 6 kg.

PLASTIC, VINYL AND LEATHER REDUCER **M-729**



Restoration of plastic surfaces. A special compound that restores plastic parts, removes minor scratches and defects.

Method of Application:

1. Before use, it is recommended to pre-clean the surface with a Mixon M-760 Interior Cleaner;
2. Apply polish using a cloth or sponge;
3. Rub the composition over the entire treated surface with a clean cloth;
4. After five minutes, wipe dry.

Do not allow the product to dry in direct sunlight.

Dilution:

Do not dilute.

Packaging:

Bottle: 1,0 kg.

[TO CONTENTS](#)

MIXON

cc.mixon.ua

CLOTH EQUIPMENT



cc.mixon.ua

Wiping cloth **ABSORBENT**



High-quality abrasive material for removing water from paintwork. Made of synthetic material of special strength. It has excellent absorbent properties, is convenient to work with, and is quite durable. For more comfortable use, place the new cloth in warm water for 20 minutes, then wring it out several times. The cloth will become soft and easy to use.

Material: 100% polyamide.

Size: 44 cm x 54 cm.

Cloth **UNIVERSAL**



High-quality wiping material for wiping paintwork and for cleaning the interior of the car. Made of synthetic material of special strength. It has excellent absorbent properties, easy to work with, quite durable. Quickly cleans the surface without the use of chemical cleaners, removes water and embedded dirt. The wiped surface becomes clean, dry, shiny, without streaks and lint.

Material: 75% microfiber and 25% polyurethane.

Size: 46 cm x 56 cm.

Cloth **POLISHING**



Wiping material for cleaning and polishing the body, interior and windows of the car. It is based on microfiber and has especially soft and fluffy fibers. It has excellent absorbent properties, high cleaning power, durable. It is used in cases where sponges, absorbent fabrics or paper towels are used. It can be used both dry and wet. When removing moisture and using on wet surfaces, the material must be squeezed more often so that it retains its absorbency performance. When removing dust and dirt, at the end of the work, the material must be thoroughly washed and rinsed. If necessary, you can wash in warm water manually or in a washing machine using a weak detergent solution. Boiling and the use of conditioning additives are prohibited during washing. Do not bleach, do not stroke.

Material: 80% polyester and 20% polyamide.

Size: 40 cm x 40 cm.

Universal cloth **ZAMSHA**



Heavy duty wiping material for cleaning, washing and removing moisture from various surfaces. Made of artificial suede. The three-dimensional structure of micropores increases absorbency several times compared to fabric materials. It has a number of advantages: it does not leave stains and villi, does not require rubbing dry. Perfectly removes fingerprints, polishes any smooth surfaces, especially glass and mirrors. Does not crumble or stratify. It is also characterized by high resistance to aggressive environments, is not afraid of drying.

Material: 65% polyamide and 35% polyurethane.

Size: 44 cm x 54 cm.

Universal cloth **ZAMSHA PERFORATE**



Perforated heavy-duty wiping material for cleaning, washing and removing moisture from various surfaces. Made of artificial suede with perforation, making it easy to twist. The three-dimensional structure of micropores increases absorbency several times compared to fabric materials. It has a number of advantages: it does not leave stains and villi, does not require rubbing dry. Perfectly removes fingerprints, polishes any smooth surfaces, especially glass and mirrors. Does not crumble or stratify. It is also characterized by high resistance to aggressive environments, is not afraid of drying.

Material: 65% polyamide and 35% polyurethane.

Size: 40 cm x 55 cm.

Foam sprayer for cleaning liquids, 24 L **NEBULIZER FOAM**

Sprayer with internal epoxy plasticized tank. The difference with a standard tank is that thanks to the use of plastic, the tank is isolated from chemical products and does not have contact with detergent. Thus, we achieved the absence of oxidation and rust. The service life of the tank is twice as long as the standard tank. The detergent does not undergo changes in its composition caused by oxidation or rust. The nozzle does not clog.



Convenient packaging. The set includes: gun, stainless steel jet tube 600 mm, nozzle, high pressure hose 10 m, pressure gauge, tank fill level indicator, safety valve, reducing valve, jet and detergent flow adjustment.





Foam Set (a+b+c) **MT-ZX-1078**



Includes:

- gun;
- foam digger;
- foam set with plastic tank.

Foam set
with plastic tank



Professional gun



Foam spear

The foam set includes a pistol, foam digger, foam set with a plastic tank. Specially designed for full-time operation in harsh environments. The foam spear is made of brass with a foam distribution regulator made of impact-resistant plastic. The foam spear tank is made of especially durable polyethylene, with a wear-resistant threaded part, Screw chemistry supply regulator with cuffs made of especially durable rubber. Foam is supplied by means of a special nozzle with an operating angle from 0 to 40 degrees. This foam kit is ideal for professional use with high-pressure devices from various manufacturers.

Foam set with 1 L plastic tank **MPA-0873**



The foam set is designed for dispensing active foam on the surface of a car and quick change of nozzles for washing with water.

Operations procedure:

First, auto chemistry diluted with water is poured into the bottle. This solution is then applied as a foam to the surface of the vehicle. Foam density can be adjusted using the foam control knob (black wheel at the top). 2-3 minutes after application of foam, it is washed off with the help of jet nozzle, which is connected to gun instead of foam generator.

Advantages of using foam set:

- Saving auto chemistry;
- Changing angle of auto chemistry spraying;
- Washing of hard-to-reach areas;
- Efficiency of foam application on the vehicle.

Foam lance tablet

MPA-7597

Forms a good foam with a high multiplicity. Foam tablet - pressed metal mesh which is a "cylinder" in the form of a tablet.

Internal ball coupling

MPA-0004

KW VK 1/4» stainless steel quick release connection («pin»).

External ball coupling

MPA-0001

KW 1/4" brass quick coupler ("mom").

PVC hose, pressed, flexible

MT-CDR-7549

PVC hose, pressed, flexible, 8x13 mm, with quick couplings, length 10 m.

Twisted rubber hose

448

Twisted rubber hose, with couplings of quick-release connection, length 7 m.

Screw screed short

MPA-7107

HDS (П 22x1,5 M14 – G1/4 M).

Plastic nozzle with brush

MT-208B

Plastic bell with brush for Tonador M-2020. Allows you to keep the required distance to the cleaning surface, mechanically (using a brush) clean the surface with severe dirt.

Handle extension for M-2010 and M-2040

MT-106U

Handle extension for M-2020 and M-2030

MT-201U

Connector for quick release

MT-214N

Brass fitting for quick release with Herringbone joint (EU Type)

Plastic nozzle with brush

MT-208B

Plastic bell with brush for Tonador M-2010. Allows you to keep the required distance to the cleaning surface, mechanically (using a brush) clean the surface with severe dirt.

Lower air regulator

MT-330N (1/4" NPT)**MT-330P** (1/4" PT)**MT-330U**

Brass connector to quick coupler with herringbone connection (EU Type)

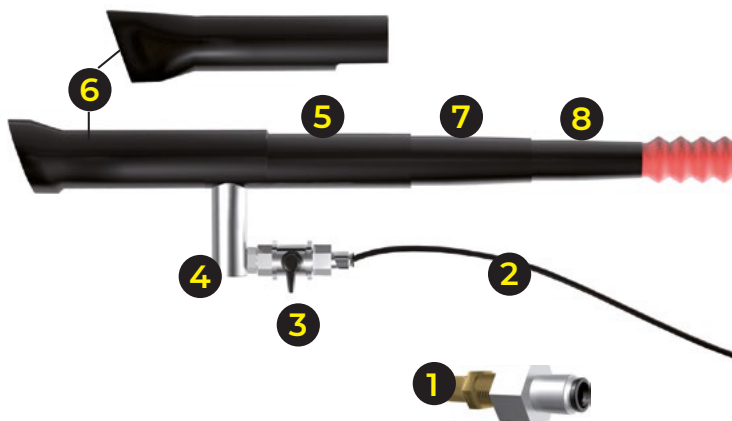


Pneumatic nozzle for vacuum cleaners **MZ-013N**



The kit includes:

1. Nipple;
2. PU tube, 3 m;
3. Reversing switch assembly;
4. Valve body;
5. Vacuum body;
6. Body nozzle;
7. Connection tube;
8. Vacuum connection tube.



Automatic reel with pneumatic hose. 15 m. Floor mounting **MO-1100**



Open reel polyurethane hose is designed for supplying compressed air to pneumatic tools, connecting pneumatic equipment.

Description:

The hose can withstand pressures up to 34.5 bar, which meets the requirements for a professional pneumatic tool in heavy use. The return mechanism automatically reels the hose onto the drum after disconnection.

Technical specifications:

Hose material: polyurethane (PU).
 Body material: steel + plastic.
 Outer diameter: 12 mm.
 Internal diameter: 8 mm.
 Operating pressure: 15 bar.
 Hose length: 15 m.
 Nozzle size: 3/8".

Automatic reel with air hose.
Wall mount

MO-II09 10 m

MO-III1 15 m



Pneumatic hose coil in metal housing. Polyurethane hose is resistant to aggressive chemical influences and does not lose elasticity at low temperatures.

Description:

The hose can withstand pressures up to 34.5 bar, which meets the requirements for a professional pneumatic tool in heavy use. The spool in a strong steel housing provides additional protection of the hose from external influences. The metal swivel mount allows you to fix the coil in any convenient place. The return mechanism automatically reels the hose onto the reel after disconnection.

Technical specifications:

Hose material: polyurethane (PU).
Body material: steel.
Outer diameter: 12 mm.
Internal diameter: 8 mm.
Operating pressure: 15 bar.
Hose length: 10/15 m.
Nozzle size: 3/8".

Automatic reel
with water hose. 15 m.
Floor mounting

MO-2001



Open reel, polyurethane hose is designed for mobile or stationary fluid supply applications.

Description:

The hose can withstand pressures up to 34.5 bar, which meets the requirements for a professional pneumatic tool in heavy use. The return mechanism automatically reels the hose onto the drum after disconnection.

Technical specifications:

Hose material: polyurethane (PU).
Body material: steel + plastic.
Outer diameter: 12 mm.
Internal diameter: 8 mm.
Operating pressure: 15 bar.
Hose length: 15 m.
Nozzle size: 3/4".



DRY CLEANER **TORNADOR M-2010**



It is recommended to use the universal interior cleaner M-760

A professional dry cleaning machine that allows you to clean any surface - textiles, plastic, leather, rubber, etc. - as quickly and efficiently as possible with minimal detergent consumption.

Tornador M-2010 allows you to easily clean even the most inaccessible places - air ducts, joints and bends, relief surfaces, etc.

The machine can be used both for localized removal of dirt and for complete dry cleaning of the interior.

The Tornador M-2010 has an integrated pressure control valve, which automatically reduces or increases the volume of the output composition or air, depending on the distance of the nozzle from the treated surface. After treatment, the surface remains practically dry.

TORNADOR

The device has two positions:

1. Supply of composition under air pressure - detergent solution under pressure is supplied to contaminated surface.
2. Air supply, which allows you to «knock out» dirt from the treated surface - the effect of a «tornado» created by a spinning spout inside the neck of the device. Dirt removed from the surface settles in the neck, which is cleaned by simple immersion in water and air supply.

Technical specifications:

- Free rotation speed: 3000 rpm.
- Air flow: 75 L/min.
- Composition consumption: 3.6 L/h.
- Air inlet: 1/4".
- Optimal air pressure: 6.2 bar.
- Weight: 0.67 kg.

Instructions and recommendations:

1. Use only recommended cleaning agents - do not use detergents containing chlorine.
2. Avoid using excessively high air pressure - pressures over 9 bar significantly accelerate the wear of the neck and inner tubes.
3. Before starting work, the surface to be treated must be thoroughly vacuumed.
4. Do not leave the unit connected to the air line - use the convenient quick release coupling to disconnect when work is finished or a break is required.
5. In order to avoid uncontrolled spillage of the working solution during a break in the unit's operation, the chemistry supply valve should be turned to the horizontal position.
6. During operation it is necessary to keep the inner surface of the neck clean. In case of contamination, lower the neck 5-7 cm into a container with water and remove the dirt by two-three short presses on the trigger.
7. After completion of all work, unscrew the neck and thoroughly rinse all working surfaces and elements with clean water.
8. The installation of an oil trap in the air line is recommended.

MACHINE SPARES TORNADOR M-2010



2	T-102A	Plastic nozzle for M-2010.
3	MT-105U	Flexible pipe nozzle assembly
4	MT-106U	Handle extension for M-2010. M-2040.
5	MT-107U	Trigger holder
6	MT-108U	Trigger holder screw holder screw
7	MT-109U	Tornador trigger universal
8	MT-110U	Outer body screw
9	MT-111U	Body connector screw
10	MT-112U	Inner bushing universal
11	MT-113U	Gasket universal bushing
12	MT-114U	Valve stem universal
13	MT-115U	Valve spring universal
14	MT-116U	Inner thin tube with thread lock
15	MT-117U	Air reversing tap universal
16	MT-118U	Bottom universal tap connector screw.
17	MT-119U	Tank cap with hole universal
18	MT-120U	Tank cap gasket
19	MT-121U	Connecting screw nut
20	MT-122U	Plastic tank inner tube
21	MT-123U	Plastic tank
22	MT-124A	Bottom air adapter. handle
23	MT-125U	Two threaded body screw universal
24	MT-126U	Body screw gasket universal
25	MT-127U	Gasket sleeve
26	MT-128U	Inner screw O-ring
27	MT-129U	Plastic nozzle O-ring.
28	MT-130U	Plastic body gasket universal
29	MT-132U	Metal tank ball
30	MT-131U	Internal valve stem gasket
31	MT-120U	Tank cap gasket universal.

DRY CLEANER TORNADOR M-2020



It is recommended to use the universal interior cleaner M-760

Professional dry cleaner, allowing, with a minimum consumption of detergent, to cleanse any surfaces as quickly and efficiently as possible - textiles, plastic, leather, rubber, etc. The main feature of this model is increased wear resistance. Tornador M-2020 allows you to easily clean even the most inaccessible places - air ducts, joints and bends, embossed surfaces, etc. The device can be used both for local removal of dirt and for complete dry cleaning of the cabin. The Tornador M-2020 integrates a pressure control valve that automatically reduces or increases the volume of the exhaust composition or air depending on the distance of the nozzle from the treated surface. After treatment, the surface remains practically dry.

The device has two positions:

1. Supply of composition under air pressure - detergent solution under pressure is supplied to contaminated surface.
2. Air supply, which allows you to «knock out» dirt from the treated surface - the effect of a «tornado» created by a spinning spout inside the neck of the device. Dirt removed from the surface settles in the neck, which is cleaned by simple immersion in water and air supply.

Technical specifications:

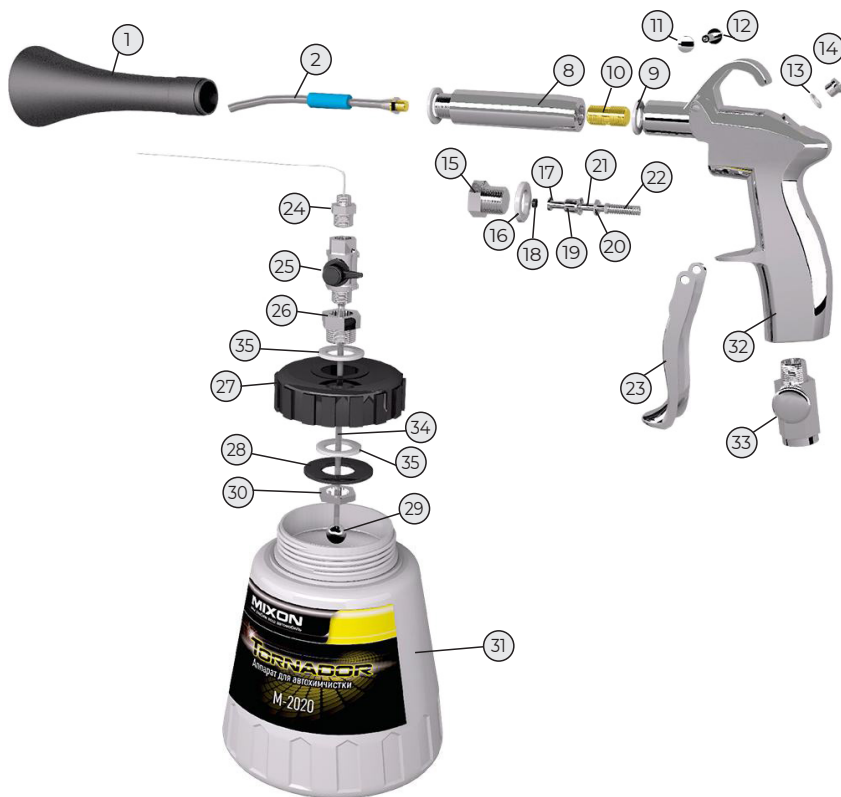
- Free rotation speed: 4000 rpm.
- Air flow: 110 L/min.
- Composition consumption: 6 L/h.
- Air inlet: 1/4».
- Optimal air pressure: 6.2 bar.
- Weight: 0.73 kg.

Instructions and recommendations:

1. Use only recommended cleaning agents - do not use detergents containing chlorine.
2. Avoid using excessively high air pressure - pressures over 9 bar significantly accelerate the wear of the neck and inner tubes.
3. Before starting work, the surface to be treated must be thoroughly vacuumed.
4. Do not leave the unit connected to the air line - use the convenient quick release coupling to disconnect when work is finished or a break is required.
5. In order to avoid uncontrolled spillage of the working solution during a break in the unit's operation, the chemistry supply valve should be turned to the horizontal position.
6. During operation it is necessary to keep the inner surface of the neck clean. In case of contamination, lower the neck 5-7 cm into a container with water and remove the dirt by two-three short presses on the trigger.
7. After completion of all work, unscrew the neck and thoroughly rinse all working surfaces and elements with clean water.
8. The installation of an oil trap in the air line is recommended.

MACHINE SPARES

TORNADOR M-2020



1	MT-208B	M2020 nozzle
2	MT-200K	Wrapping turbine for M2020
8	MT-201U	Handle extension for M-2020 and M-2030.
9	MT-130U	Universal plastic case gasket
10	MT-125U	Two-cut screw of universal housing
11	MT-108U	Holder screw trigger holder screw
12	MT-107U	Trigger holder
13	MT-126U	Universal body screw gasket
14	MT-110U	External screw of housing
15	MT-111U	Housing connecting screw
16	MT-128U	Inner screw O-ring
17	MT-127U	Bushing gasket
18	MT-131U	Internal valve stem gasket
19	MT-112U	Multipurpose inner bushing
20	MT-113U	Universal bushing gasket
21	MT-114U	Universal valve stem
22	MT-115U	Universal valve spring
23	MT-109U	Universal trigger
24	MT-209A	Inner thin tube with threaded retainer M-2020 M-2030
25	MT-117U	Multipurpose air reversing valve
26	MT-118U	Universal crane lower connecting screw
27	MT-119U	Multipurpose tank cover with hole
28	MT-214U	Universal tank cover gasket
29	MT-132U	Metal tank ball
30	MT-121U	Screw connection nut MT118U
31	MT-123U	Plastic tank
32	MT-101U	Universal housing handle
33	MT-330U	Lower air regulator (1/4" PF)
33	MT-330N	Lower air regulator (1/4"NPT)

cc.mixon.ua



DRY CLEANER TORNADOR M-2030



It is recommended to use
the universal interior cleaner
M-760

A professional device of the second generation, which allows, with a minimum consumption of detergent, to clean even heavily contaminated surfaces and parts of the car as quickly and efficiently as possible.

It is used to clean the passenger compartment, body ceiling, dashboard, ventilation holes, mats, discs, engine and other parts of the machine, regardless of the sensitivity, accessibility and degree of contamination of the treated surface. The Tornado M-2030 integrates a pressure control valve that automatically reduces or increases the volume of the exhaust composition or air depending on the distance of the nozzle from the treated surface. After treatment, the surface remains practically dry.

The device has two positions:

1. Supply of composition under air pressure - detergent solution under pressure is supplied to contaminated surface.
2. Air supply, which allows you to «knock out» dirt from the treated surface - the effect of a «tornado» created by a spinning spout inside the neck of the device. Dirt removed from the surface settles in the neck, which is cleaned by simple immersion in water and air supply.

Technical specifications:

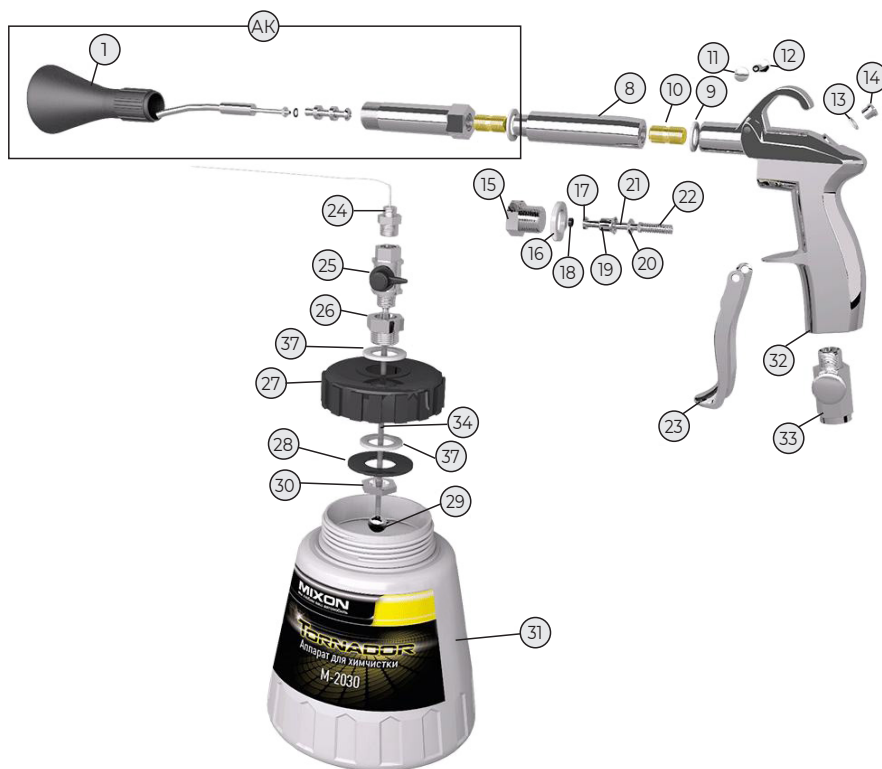
- Free rotation speed: **5000 rpm.**
- Air consumption: **130 L/min.**
- Composition consumption: **6 L/h.**
- Air inlet: **1/4".**
- Optimum air pressure: **6.2 bar.**
- Weight: **0.8 kg.**

Instructions and recommendations:

1. Use only recommended cleaning agents - do not use detergents containing chlorine.
2. Avoid using excessively high air pressure - pressures over 9 bar significantly accelerate the wear of the neck and inner tubes.
3. Before starting work, the surface to be treated must be thoroughly vacuumed.
4. Do not leave the unit connected to the air line - use the convenient quick release coupling to disconnect when work is finished or a break is required.
5. In order to avoid uncontrolled spillage of the working solution during a break in the unit's operation, the chemistry supply valve should be turned to the horizontal position.
6. During operation it is necessary to keep the inner surface of the neck clean. In case of contamination, lower the neck 5-7 cm into a container with water and remove the dirt by two-three short presses on the trigger.
7. After completion of all work, unscrew the neck and thoroughly rinse all working surfaces and elements with clean water.
8. The installation of an oil trap in the air line is recommended.

MACHINE SPARES

TORNADOR M-2030



1	MT-205K	Plastic M-2030 nozzle.
8	MT-201U	M-2020 handle extension, M-2030
9	MT-130U	Universal plastic case gasket
10	MT-125U	Two-cut screw of universal housing
11	MT-108U	Holder screw trigger holder screw
12	MT-107U	Trigger holder
13	MT-128U	Inner screw O-ring
14	MT-110U	External screw of housing
15	MT-111U	Housing connecting screw
16	MT-126U	Universal body screw gasket
17	MT-131U	Internal valve stem gasket
18	MT-127U	Bushing gasket
19	MT-112U	Multipurpose inner bushing
20	MT-113U	Universal bushing gasket
21	MT-114U	Universal valve stem
22	MT-115U	Universal valve spring
23	MT-109U	Universal trigger
24	MT-209A	Inner thin tube with threaded retainer M-2020 M-2030
25	MT-117U	Multipurpose air reversing valve
26	MT-118U	Universal crane lower connecting screw
27	MT-119U	Multipurpose tank cover with hole
28	MT-214U	Universal tank cover gasket
29	MT-132U	Metal tank ball
30	MT-121U	Screw connection nut MT-118U
31	MT-123A	Plastic tank (new)
32	MT-101U	Universal housing handle
33	MT-330U	Lower air regulator
34	MT-122U	Plastic tank inner tube
37	MT-133U	Inner washer of M-2020 tank cover, M-2030

DRY CLEANER

TORNADOR M-2040 TURBO



It is recommended to use the universal interior cleaner M-760

A second generation professional machine that allows you to clean excessively soiled surfaces and car parts as quickly and efficiently as possible while minimizing detergent consumption. Tornador M-2040 Turbo is used for cleaning the interior, body ceiling, dashboard, air vents, carpets, disks, engine and other parts of the car regardless of the sensitivity, accessibility and degree of contamination of the treated surface. This model has the ability to connect to a dust collector for the best removal of extremely dirty floor coverings and car mats. The Tornador M-2040 Turbo has an integrated pressure control valve, which automatically reduces or increases the volume of the output composition or air depending on the distance of the nozzle from the treated surface. The surface remains virtually dry after treatment.

The device has two positions:

1. Supply of composition under air pressure - detergent solution under pressure is supplied to contaminated surface.
2. Air supply, which allows you to «knock out» dirt from the treated surface - the effect of a «tornado» created by a spinning spout inside the neck of the device. Dirt removed from the surface settles in the neck, which is cleaned by simple immersion in water and air supply.

Technical specifications:

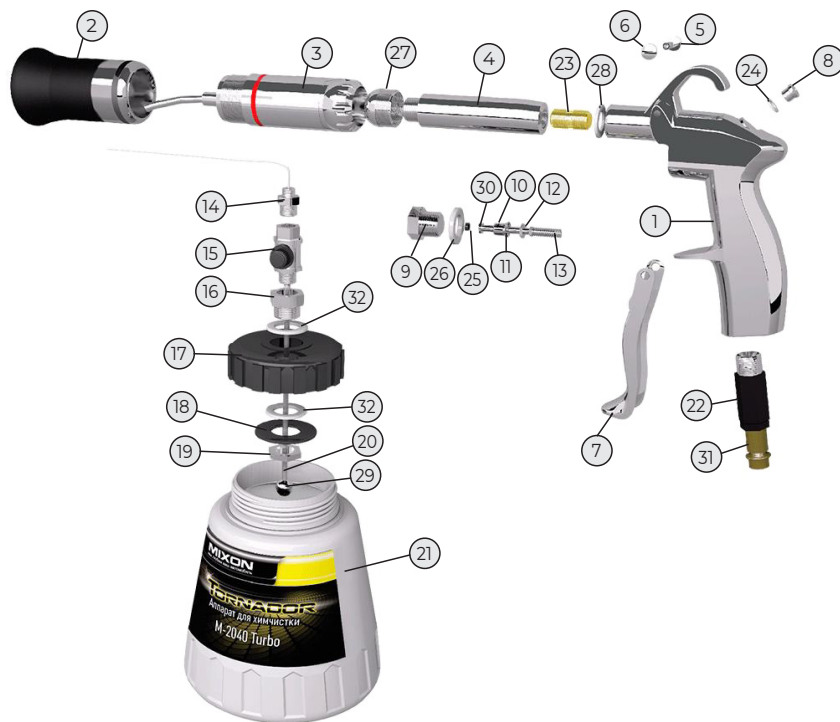
- Free rotation speed: 1000-8000 rpm.
- Air flow rate: 80-160 L/min.
- Composition consumption: 0-9.6 L/h.
- Air inlet: 1/4".
- Optimal air pressure: 6.2 bar.
- Weight: 0.92 kg.

Instructions and recommendations:

1. Use only recommended cleaning agents - do not use detergents containing chlorine.
2. Avoid using excessively high air pressure - pressures over 9 bar significantly accelerate the wear of the neck and inner tubes.
3. Before starting work, the surface to be treated must be thoroughly vacuumed.
4. Do not leave the unit connected to the air line - use the convenient quick release coupling to disconnect when work is finished or a break is required.
5. In order to avoid uncontrolled spillage of the working solution during a break in the unit's operation, the chemistry supply valve should be turned to the horizontal position.
6. During operation it is necessary to keep the inner surface of the neck clean. In case of contamination, lower the neck 5-7 cm into a container with water and remove the dirt by two-three short presses on the trigger.
7. After completion of all work, unscrew the neck and thoroughly rinse all working surfaces and elements with clean water.
8. It is recommended to install an oil trap in the air line.

MACHINE SPARES

TORNADOR M-2040 TURBO



1	MT-101U4	Housing handle M-2040
2	MT-200N	Plastic M-2040 nozzle.
3	MT-205N	Rotating turbine assembly for M-2040
4	MT-106U	M-2010 handle extension, M-2040
5	MT-107U	Trigger holder
6	MT-108U	Holder screw trigger holder screw
7	MT-109U	Tornado's trigger is universal
8	MT-110U	External screw of housing
9	MT-111U	Housing connecting screw
10	MT-112U	Multipurpose inner bushing
11	MT-113U	Universal bushing gasket
12	MT-114U	Universal valve stem
13	MT-115U	Universal valve spring
14	MT-203N	Inner thin tube with threaded retainer for M-2040
15	MT-117U	Multipurpose air reversing valve
16	MT-118U	Connecting screw of the lower university crane.
17	MT-119U	Multipurpose tank cover with hole
18	MT-214U	Universal tank cover gasket
19	MT-121U	Screw connection nut MT-118U
20	MT-122U	Plastic tank inner tube
21	MT-123U	Plastic tank
22	MT-124A	Handle bottom air adapter
23	MT-125U	Two universal screw of the housing
24	MT-126U	Universal body screw gasket
25	MT-127U	Bushing gasket
26	MT-128U	Inner screw O-ring
27	MT-205A	Adapter for two threaded turbine
28	MT-130U	Universal plastic case gasket
29	MT-132U	Metal tank ball
30	MT-131U	Internal valve stem gasket

Арт. 20-14-01



5 1055393 416940

cc.mixon.ua